



ENGINEERING COMPONENT MANUFACTURER

Kanojiya Industry

**MANUFACTURING YOUR
DEMANDS**

Superiority 1

We provide the best quality component.

Superiority 2

In house manufacturing facility.

Superiority 3

Consistency in delivery.

We are manufacturing engineering component according to your drawing and sample. .

 kanojiyaindustry@yahoo.in

 www.kanojiya.com

 @Nirav_Kanojiya



Established in the year 2010, at Ahmedabad (Gujarat, India) We "Kanojiya Industry" are highly acknowledged as the eminent Manufacturer and Supplier of quality assured customize Hydraulic Cylinders, Industrial Gears, Gear Sprockets, Drive Shafts, Hardened Bushes, Linear Guide Shafts and Toggle & Gudgeon Pins , bush and pins for earth moving equipment. These products find wide application in various mechanical and automotive industries for various purposes. Our team of proficient and adroit professionals has set an exemplary standard in the industry by their strong will power, work ability and innovative ideas. We ensure to manufacture these parts & products using excellent quality raw material and innovative technology at our well sprawled and facility-enriched manufacturing unit. Since our incorporation, we have built a strong position in industry by offered advanced and qualitative products. Known for their accurate dimensions, unique design, flawless finish, easy installation, high tensile strength and rust resistance, these quality-assured products are highly acclaimed in the market. Our enterprise has never compromised with the quality of these advanced products and this has been a prime factor behind our formidable position in the industry.

Rigorous quality checks and a wide delivery networks have enabled us to deliver only defect free products at client's premises. Our facility enriched infrastructure that is fully installed with modern machinery & tools drive us to manufacture best-in-class products and deliver them within the time specified by our clients. Our entire infrastructure unit is divided into various facility enriched units like manufacturing, control, packaging and delivery. Further, we have hired a team of adroit and competent professionals who make use of contemporary techniques & machines in the production process. Accurate monitoring of the entire manufacturing process and excellent supervision of the work aids us to produce best in class products that are unmatched in the market. These personnel hold vast experience and work in close coordination to produce high class products. Fair business deals, approach towards client contentment and transparency in business operations keep us ahead from the other market players.



SOFTWARE WE USE.

Scan for Call



+91-9909425713

✉ kanojiyaindustry@yahoo.in www.kanojiya.com

📺 @Nirav_Kanojiya

We are manufacturing.

- Toggle and Gudgeon Pin for plastic machinery.
- Pin for construction and earthmoving machinery.
- High L/D drive and driven shaft for Transmission.
- Chrome plated linear guide shaft.
- Gear and Sprocket manufacturing.
- Customize Hydraulic Cylinder Mfg.
- Import substitute.
- General purpose mechanical component.
- Pin and Bush for Excavator and Backhoe loader.



Serving Industries.

- Plastic machinery .
- Construction machinery.
- Pharma machinery.
- Earth moving machinery.
- Agricultural machinery.
- General purpose sector.
- Maintenance contract.



CERTIFICATION

Scan for Call



+91--9909425713

✉ kanojiyaindustry@yahoo.in www.kanojiya.com

📺 @Nirav_Kanojiya

Manufacturing facility.

- CNC turning centre
- Make: ACE Design, Bangalore
- Model : Simple turn 50125-6T



- CNC turning centre
- Make: ACE Design, Bangalore
- Model : Simple turn 50200-6T

- VMC with 4 axis
- Make: BFW Bangalore
- Model : XTRON 1366



CERTIFICATION

Scan for Call



+91--9909425713

✉ kanojiyaindustry@yahoo.in 🌐 www.kanojiya.com

📺 @Nirav_Kanojiya

Manufacturing facility.

- **CNC induction hardening machine**
- **Make: AXR electro , Rajkot**
- **Model : KW100--1500 L.**
- **With Tempering Furnace.**



- **Cylindrical grinding machine.**
- **Make: SCHAUDT, Germany**
- **Model : E450NP**

- **Cylindrical Grinding MACHiNE**
- **Make: Premto , India**
- **Model : ABC-1000**



- **Internal Grinding MACHiNE**
- **Make: SCHAUDT, Germany**
- **Model : E450 J1000**



CERTIFICATION

Scan for Call



+91--9909425713

✉ kanojiyaindustry@yahoo.in 🌐 www.kanojiya.com

📺 @Nirav_Kanojiya

Some of components manufactured by us.



CERTIFICATION

✉ kanojiyaindustry@yahoo.in

Scan for Call



☎ +91-9909425713

🌐 www.kanojiya.com

📺 @Nirav_Kanojiya

Some of components manufactured by us.



CERTIFICATION

✉ kanojiyaindustry@yahoo.in

Scan for Call

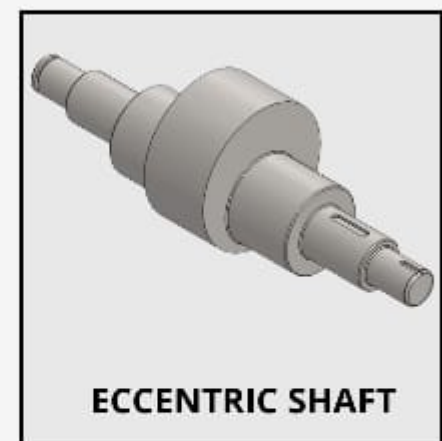


☎ +91-9909425713

🌐 www.kanojiya.com

📺 @Nirav_Kanojiya

Some of components manufactured by us.



CERTIFICATION

✉ kanojiyaindustry@yahoo.in

Scan for Call



☎ +91-9909425713

🌐 www.kanojiya.com

📺 @Nirav_Kanojiya

Our valuable clients.



CERTIFICATION

Scan for Call



+91-9909425713

✉ kanojiyaindustry@yahoo.in  www.kanojiya.com

📺 @Nirav_Kanojiya

Scan for Call



+91--9909425713

 kanojiyaindustry@yahoo.in

 www.kanojiya.com

 @Nirav_Kanojiya

Kanojiya Industry,

 49, Jogeswari Estate,
F/O Shankar Estate,,
Revabhai Estate Road,CTM,
Ahmedabad, Gujarat,
India, Pin:380026